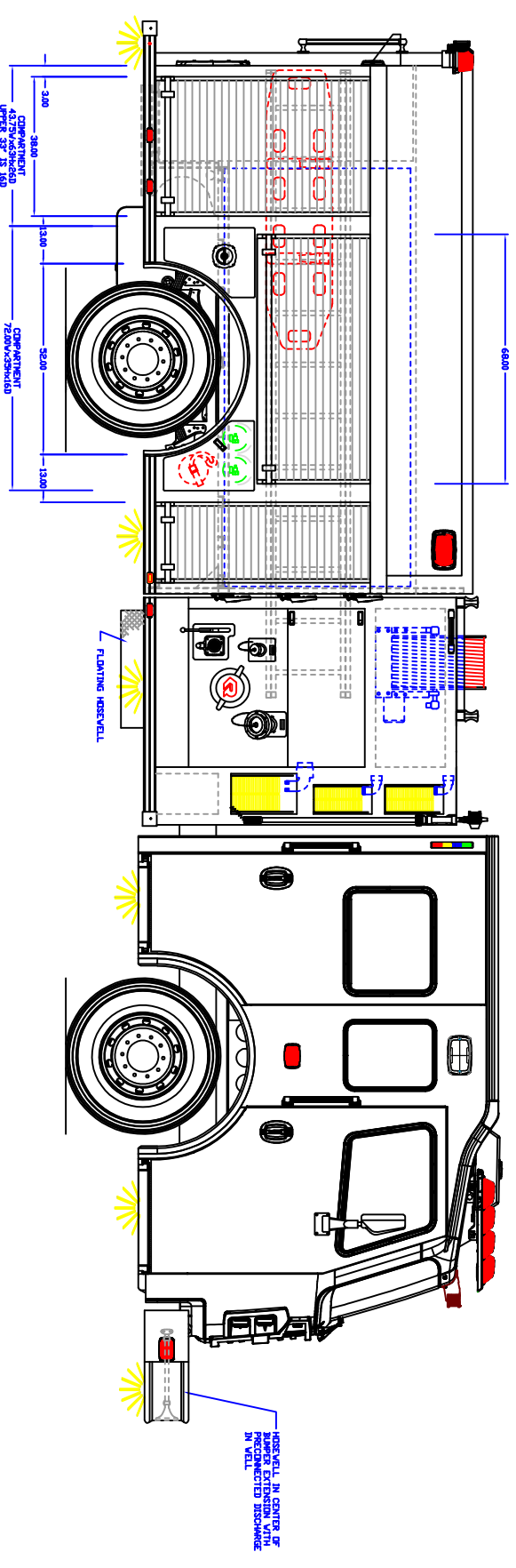
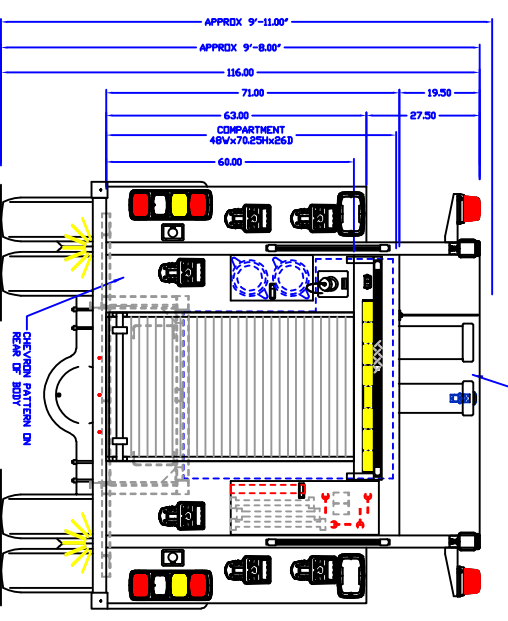
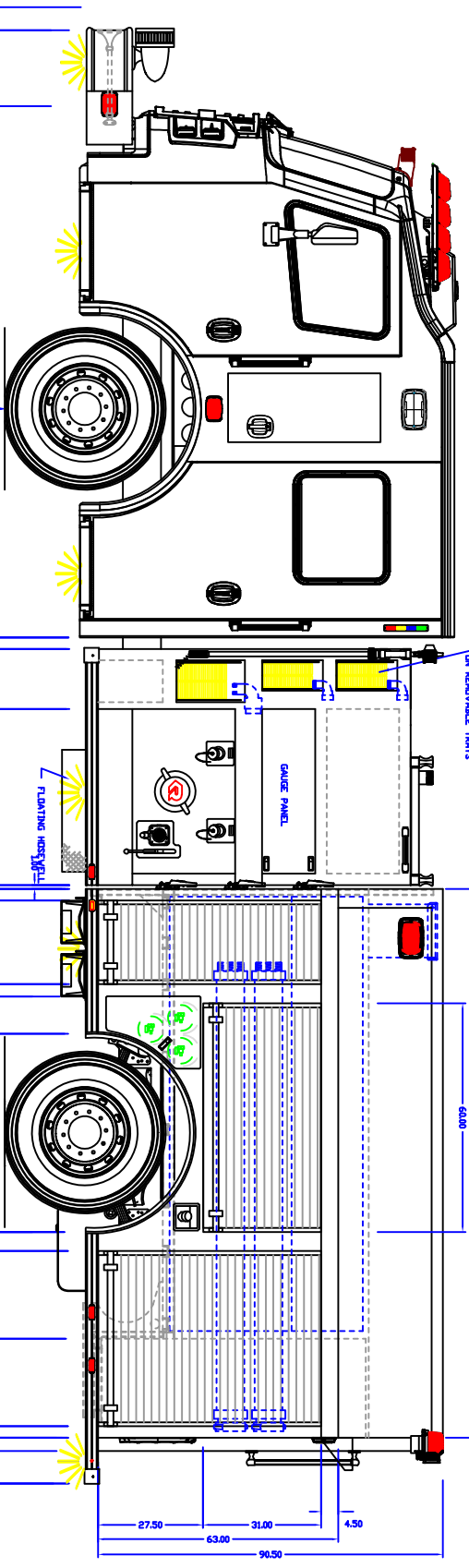
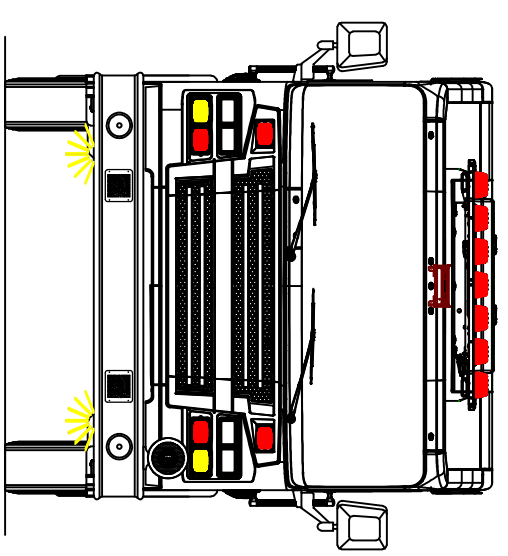


INITIALS: -
 JOB NUMBER: 18915-16
 DATE: -

MAN. FILE: -
 DEPT: -
 DEALER: -
PRODUCTION APPROVED



- NOTES:
1. OVERALL HEIGHT IS IN LOADED CONDITION. UNLOADED HEIGHTS MAY BE 4" ABOVE HEIGHTS SHOWN.
 2. DO NOT SCALE DRAWING.
 3. ALL DIMENSIONS ARE APPROXIMATE AND SUBJECT TO ENGINEERING CHANGES.
 4. DRAWING MAY OR MAY NOT SHOW ALL ITEMS AS DESCRIBED IN THE WRITTEN DETAIL SPECIFICATIONS.
 5. INCLUSION OF AN ITEM ON THE DRAWING DOES NOT CONSTITUTE INCLUSION OF THAT ITEM WITH THE FINAL DELIVERED UNIT.
 6. THE EFFECTIVE DOOR OPENINGS WILL BE APPROX. 2" LESS THAN THE NOTED COMPARTMENT OPENING FOR ROLL UP DOORS AND UP TO APPROX. 4" LESS FOR HINGED DOORS

APPROVED BY: _____

CHASSIS: COMMANDER 6011
 PUMP: HALE 1500 GPM
 TANK: POLY/1000/20(FOAM)
 PANEL MATL: STAINLESS STEEL
 COMP INTERIOR: SPATTER PAINTED

REVISION	BY/DATE	DATE
REVISED	VLM	10-03-22
DRAWN	VLM	06-14-22

PROPRIETARY AND CONFIDENTIAL
 THE INFORMATION CONTAINED IN THIS DRAWING IS THE SOLE PROPERTY OF ROSENBAUER. ANY REPRODUCTION IN PART OR AS A WHOLE WITHOUT THE WRITTEN PERMISSION OF ROSENBAUER IS PROHIBITED.

MAXIMUM HEIGHT: NONE
 MAXIMUM LENGTH: NONE
 BODY WIDTH: 95"

**HOUSTON COUNTY
 FIRE DEPT., GA**

ROSENBAUER FX 3/16"
 houston county, ga

